

6

5

4

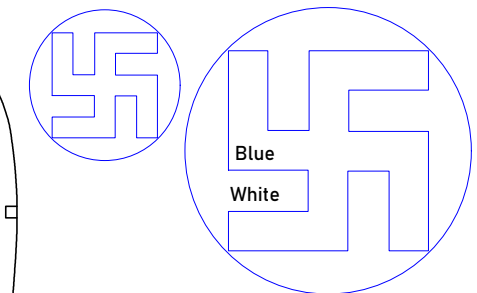
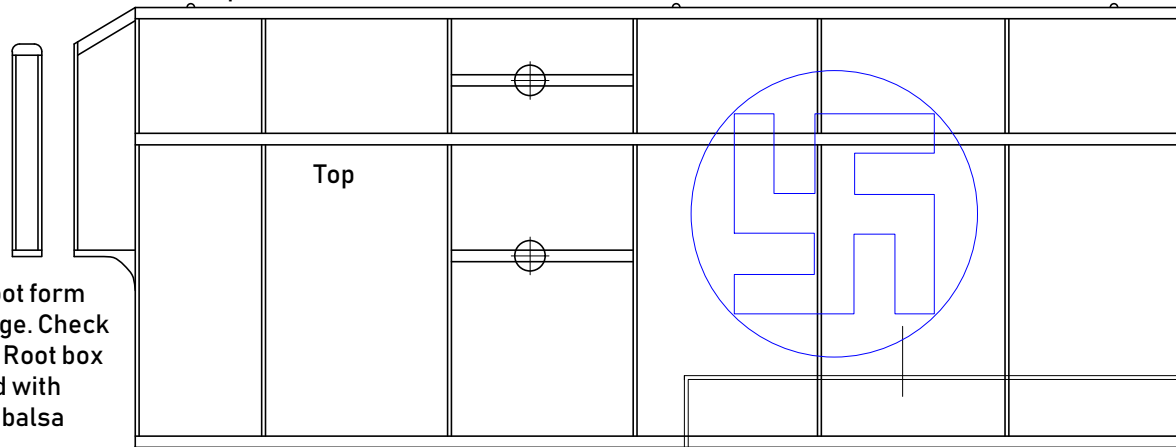
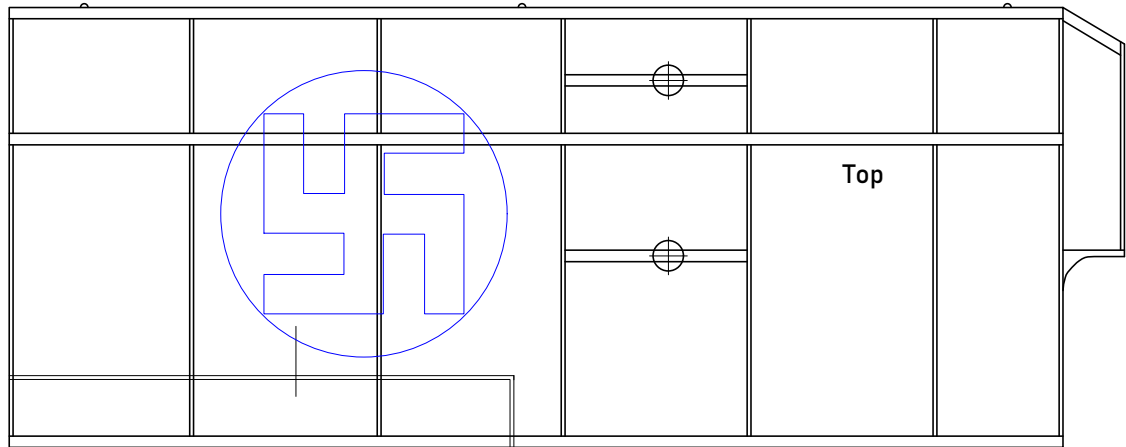
3

2

1

Markings on wings and on fuselage are on both sides.

All ribs 0,5 mm balsa. Use 1 mm balsa if 0,5 is not available
All spars 1,5 x 1,5 mm balsa

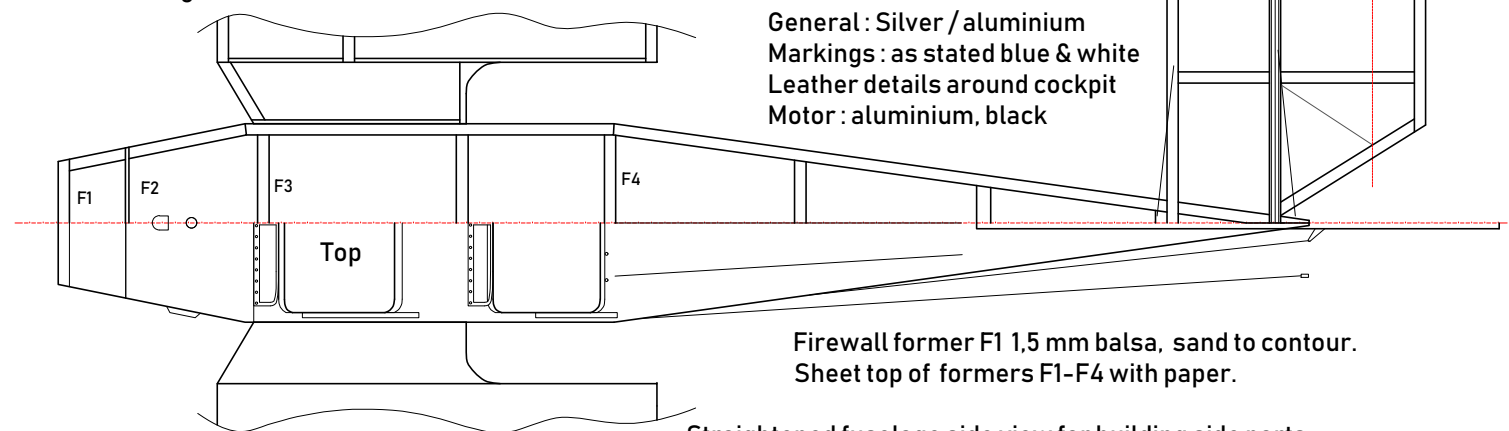
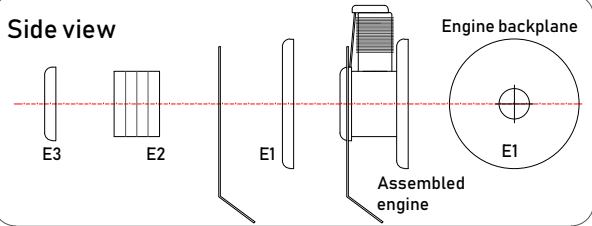
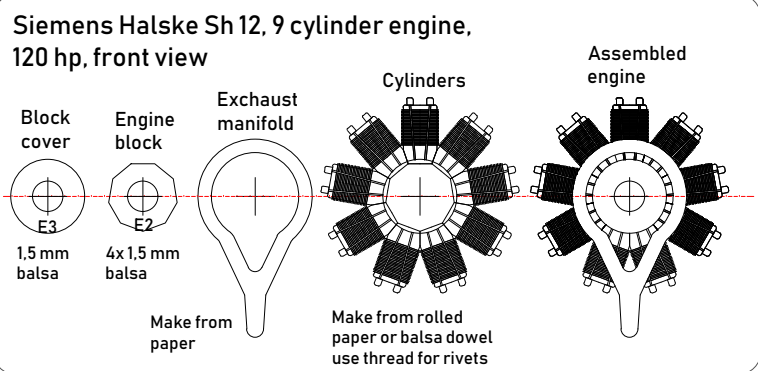
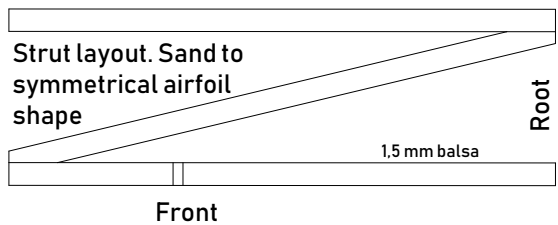
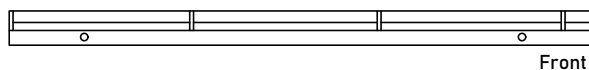


Wing root form is strange. Check photos. Root box sheeted with 0,5 mm balsa

Tilt start of wing panel inward by 5 deg.

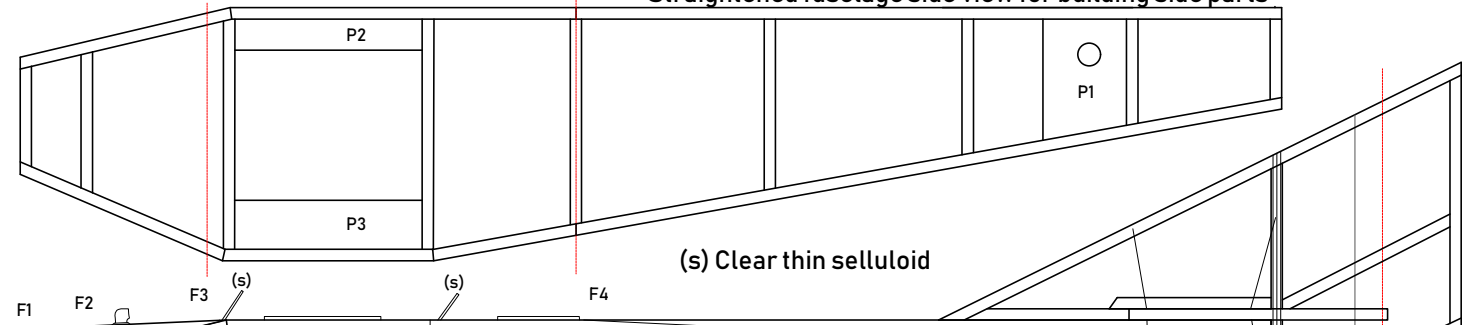
Angle of attack: 2 deg, not drawn

Colours:
General: Silver / aluminium
Markings: as stated blue & white
Leather details around cockpit
Motor: aluminium, black



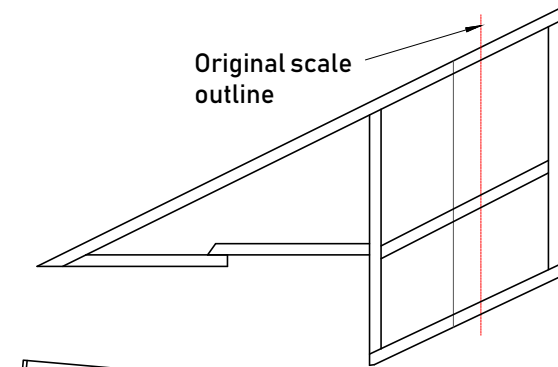
Firewall former F1 1,5 mm balsa, sand to contour. Sheet top of formers F1-F4 with paper.

Straightened fuselage side view for building side parts

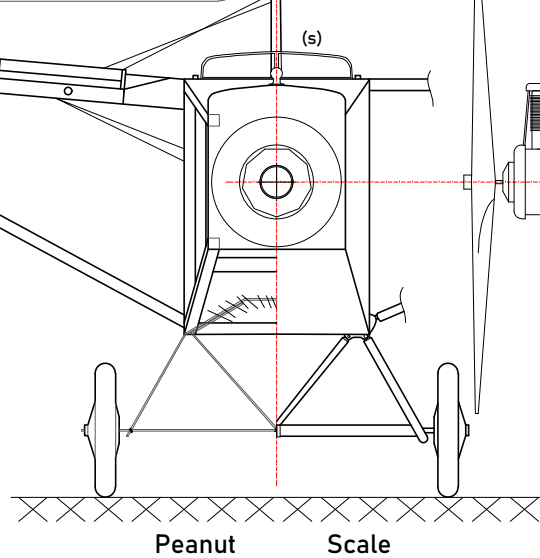
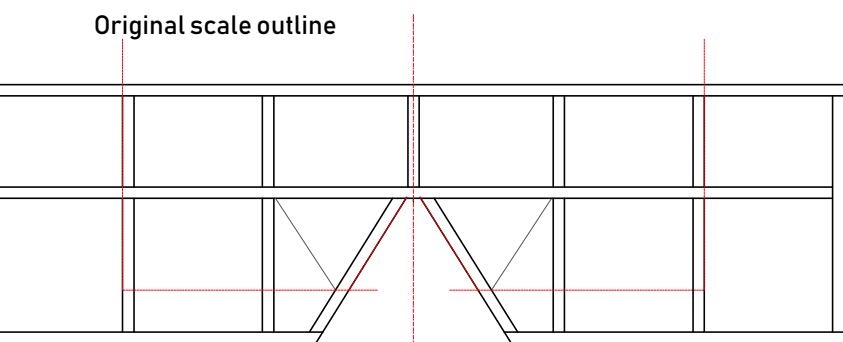


(s) Clear thin selluloid

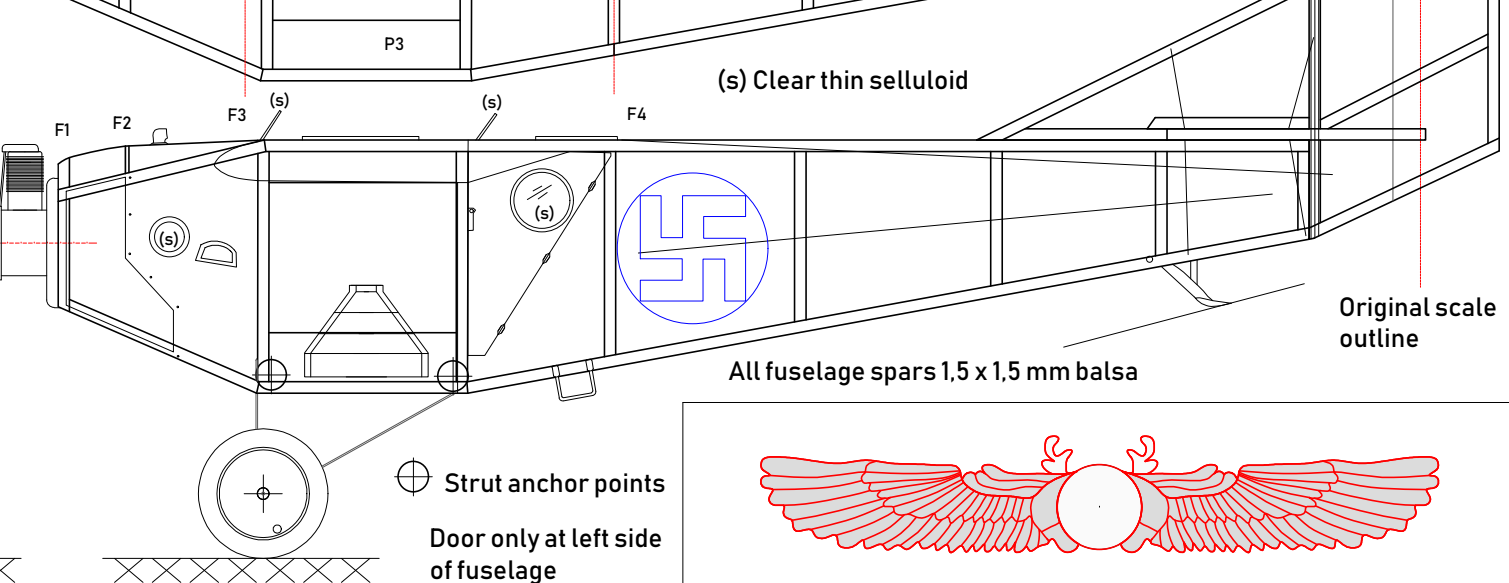
All fuselage spars 1,5 x 1,5 mm balsa



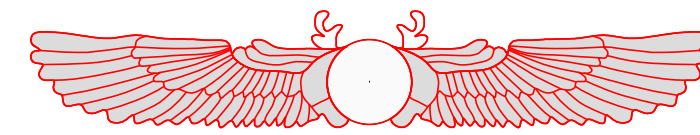
Original scale v-form ~2.3 mm per side (2,45 deg). Use v-form of minimum 13 mm per side (5 deg)



Landing gear 0,2 mm piano wire, assembly using thread and glue



Strut anchor points
Door only at left side of fuselage



Iwaru Oy

TITLE
IVL Kurki K1 Peanut Scale drawing. Rubber powered model of 1927 Finnish training and transport aeroplane.

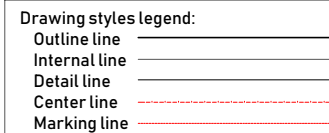
SIZE	PROJECT	(C) Copyright 2019	REV
A3	178-01	Tuomas Ojala Iwaru Oy	22
SCALE	DATE	SHEET	
1:1	3.1.2019		

THIS DESIGN IS COPYRIGHT BY IWARU OY.
It has been released only for free, non-commercial use. That means that you can make copies of this plan for your personal use, make as many planes as you want and fly them any way you want. Enjoy!

You are not allowed to start selling copies of this plan or kits based in this design and/or plan. Any commercial use, whatsoever, without Iwaru Oy's express written consent is strictly prohibited. If you want to use this design commercially pls. contact Iwaru Oy. For contact details see www.iwaru.fi, or directly tuotal@iwaru.fi.

This design has no warranty whatsoever. It has been released as-is, and any plane based on this design/plan is on sole responsibility of builder and the pilot of plane.

Notes:
Elevator and rudder size is enlarged.
original outline is marked on drawing.



50 mm

6

5

4

3

2

1